

1:2 HSS Wiring/Plumbing Diagram, Double Solenoid Valves

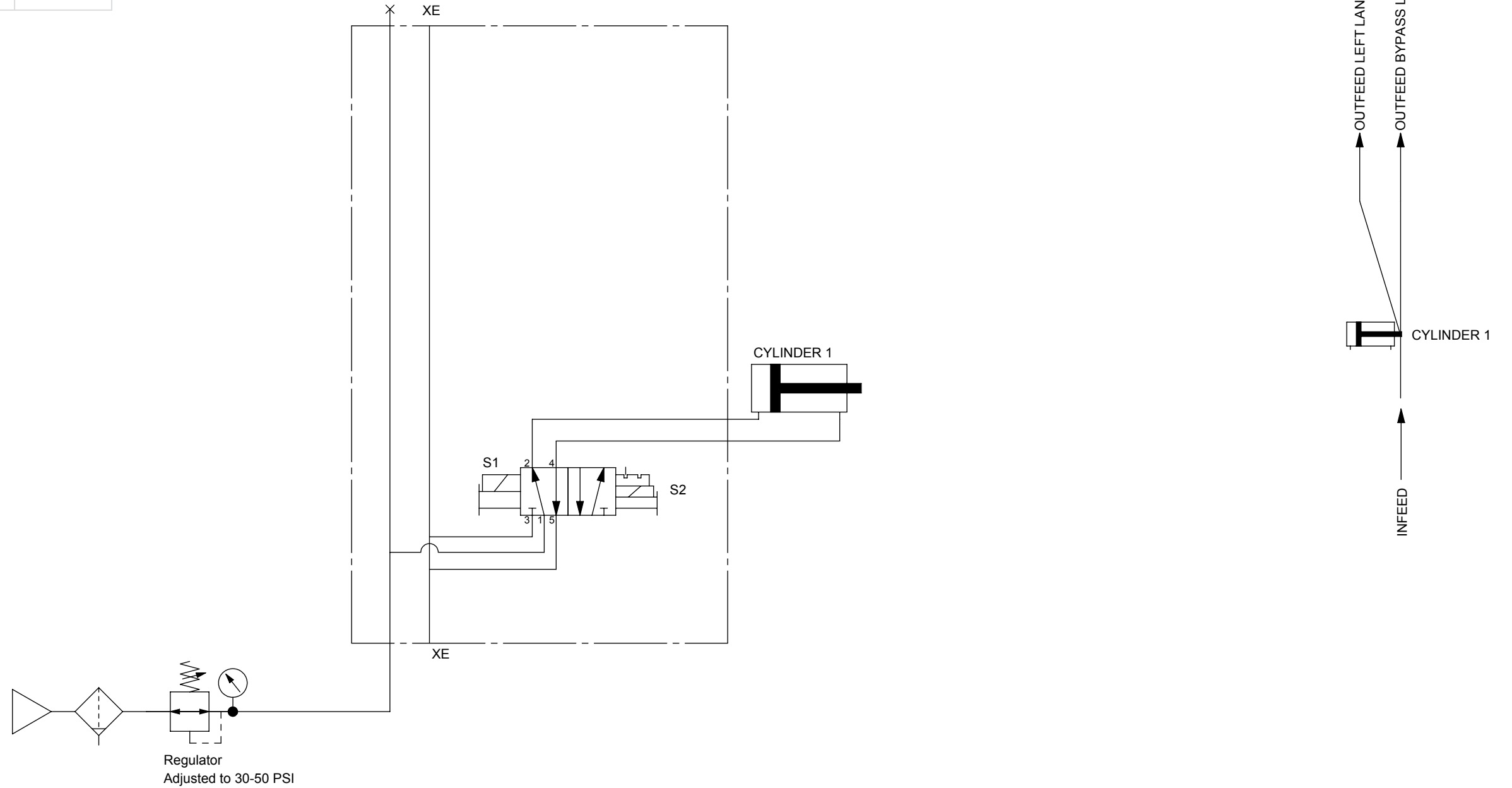
1-2 High Speed Switch Operation, Double Solenoids

For OUTFEED BYPASS LANE

Solenoid	Energized	Output Port	Cylinder	Cyl State
S1	X	2	1	extended
S2				

For OUTFEED LEFT LANE

Solenoid	Energized	Output Port	Cylinder	Cyl State
S1		4	1	retracted
S2	X			



Tolerances Unless Specified	Inch
	0.X = ± 0.010
	0.XX = ± 0.005
	0.XXX = ± 0.001
Metric	
	0.X = ± 0.2
	0.XX = ± 0.13
	0.XXX = ± 0.03

JOB NAME HSS		MATERIAL NUMBER
JOB NUMBER	DETAIL NUMBER	MATERIAL DESCRIPTION
Span Tech, LLC 1115 Cleveland Ave. / PO Box 369 Glasgow, KY 42141 270-651-9166 270-651-7533 (fax) www.spantechllc.com		FINISH
		NOTES

PART / ASSEMBLY NUMBER n/a		REV
PART / ASSEMBLY NAME 1:2 HSS Plumbing Diag., Double Solenoids		
SIZE B	DESIGNED BY Fye	DATE 12/13/2016
SCALE 1:1		SHEET 1/6

1:3 HSS Wiring/Plumbing Diagram, Double Solenoid Valves

1-3 High Speed Switch Operation, Double Solenoids

For OUTFEED CENTER

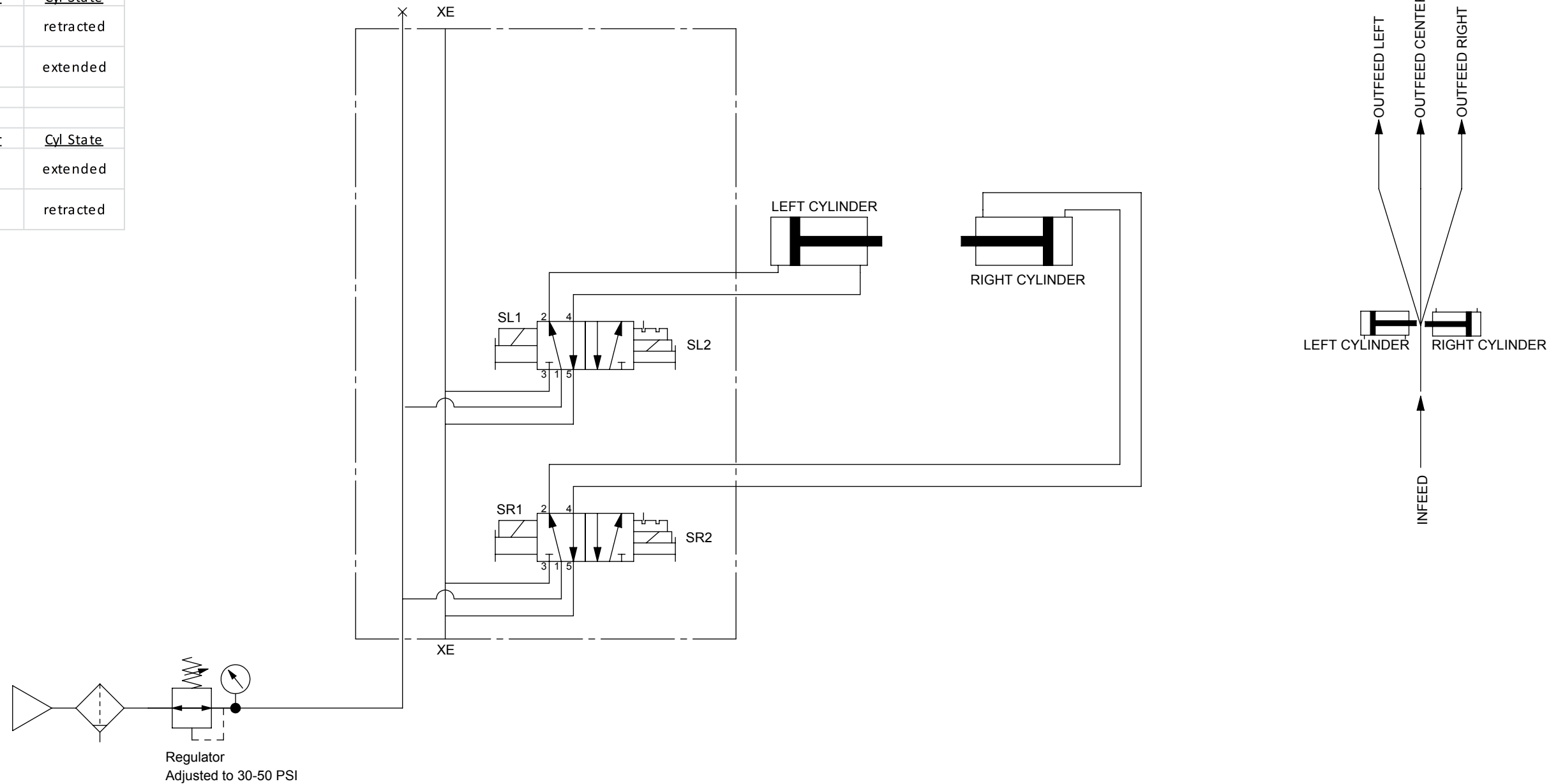
Solenoid	Energized	Output Port	Cylinder	Cyl State
SL1	X	2	left	extended
SL2				
SR1	X	2	right	extended
SR2				

For OUTFEED LEFT


Solenoid	Energized	Output Port	Cylinder	Cyl State
SL1		4	left	retracted
SL2	X			
SR1	X	2	right	extended
SR2				

For OUTFEED RIGHT

Solenoid	Energized	Output Port	Cylinder	Cyl State
SL1	X	2	left	extended
SL2				
SR1		4	right	retracted
SR2	X			



Tolerances Unless Specified	Inch
	0.X = ± 0.010
	0.XX = ± 0.005
	0.XXX = ± 0.001
Metric	
0.X = ± 0.2	
0.XX = ± 0.13	
0.XXX = ± 0.03	

JOB NAME HSS		MATERIAL NUMBER		PART / ASSEMBLY NUMBER n/a		REV
JOB NUMBER	DETAIL NUMBER	MATERIAL DESCRIPTION		PART / ASSEMBLY NAME 1:3 HSS Plumbing Diag., Double Solenoids		
 Span Tech, LLC 1115 Cleveland Ave. / PO Box 369 Glasgow, KY 42141 270-651-9166 270-651-7533 (fax) www.spantechllc.com		FINISH	DATE 12/13/2016	SCALE 1:1	SHEET 2/6	
		NOTES	DESIGNED BY Fye	SIZE B		

1:4 HSS Wiring/Plumbing Diagram, Double Solenoid Valves

1-4 High Speed Switch Operation, Double Solenoids

To send carriers to the OUTFEED BYPASS LANE

Solenoid	Energized	Output Port	Cylinder	Cyl State
C1S1	X	2	1	extended
C1S2				
C2S1	X	2	2	extended
C2S2				
C3S1	X	2	3	extended
C3S2				

To send carriers to the OUTFEED LEFT LANE 1

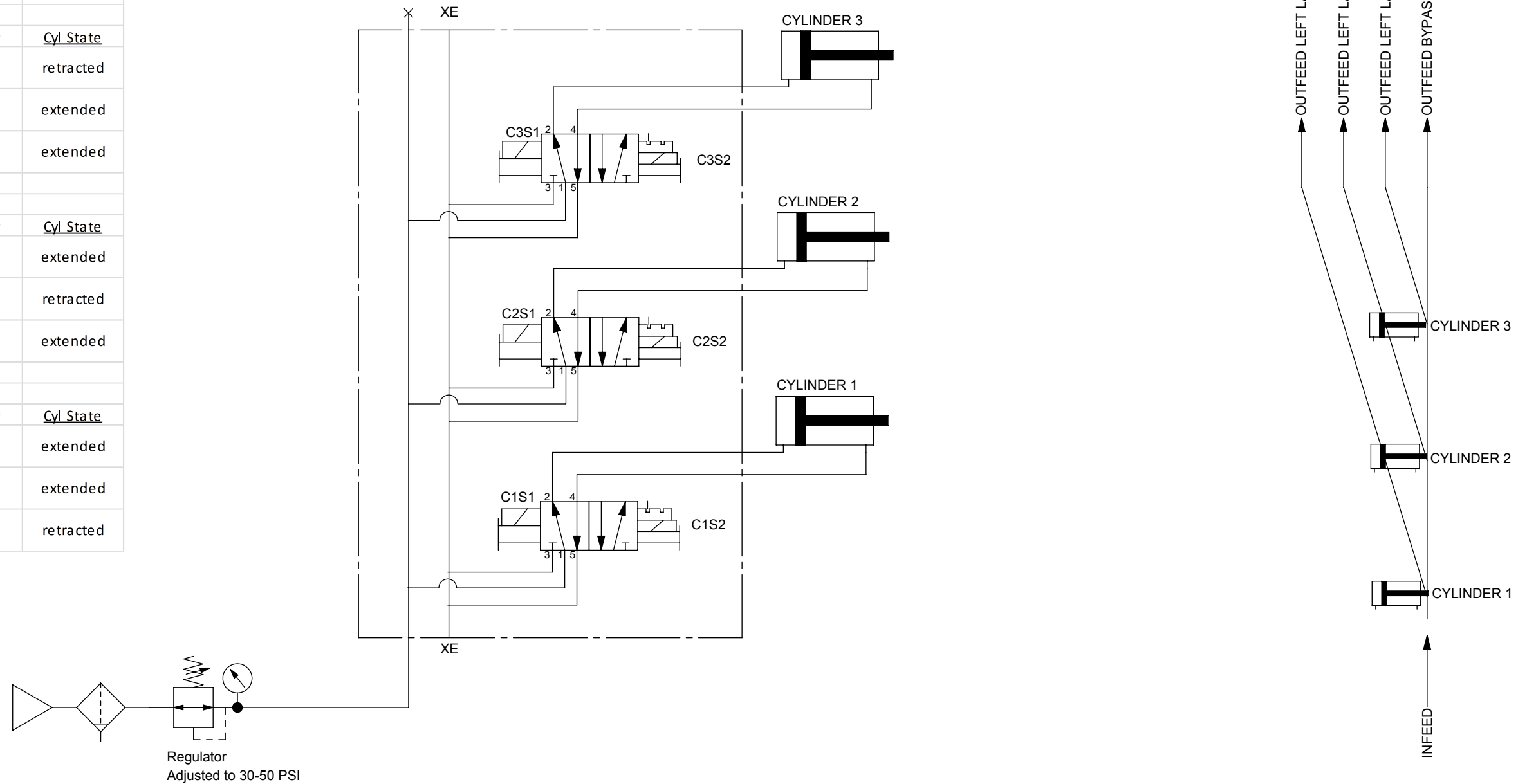
Solenoid	Energized	Output Port	Cylinder	Cyl State
C1S1		4	1	retracted
C1S2	X			
C2S1	X	2	2	extended
C2S2				
C3S1	X	2	3	extended
C3S2				

To send carriers to the OUTFEED LEFT LANE 2

Solenoid	Energized	Output Port	Cylinder	Cyl State
C1S1	X	2	1	extended
C1S2				
C2S1		4	2	retracted
C2S2	X			
C3S1	X	2	3	extended
C3S2				

To send carriers to the OUTFEED LEFT LANE 3

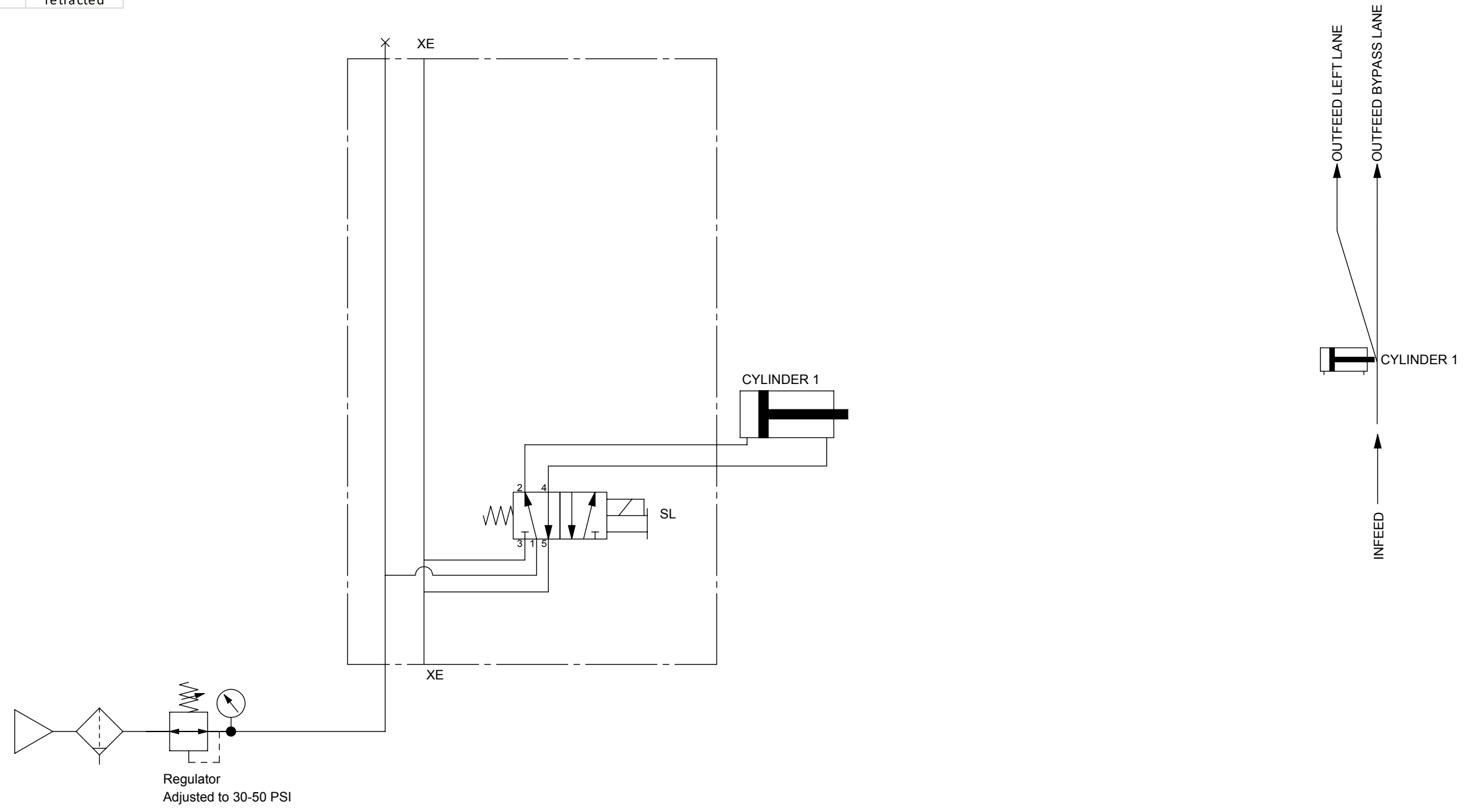
Solenoid	Energized	Output Port	Cylinder	Cyl State
C1S1	X	2	1	extended
C1S2				
C2S1	X	2	2	extended
C2S2				
C3S1		4	3	retracted
C3S2	X			



Tolerances Unless Specified Inch 0.X = ± 0.010 0.XX = ± 0.005 0.XXX = ± 0.001 Metric 0.X = ± 0.2 0.XX = ± 0.13 0.XXX = ± 0.03	JOB NAME HSS		MATERIAL NUMBER		PART / ASSEMBLY NUMBER n/a		REV
	JOB NUMBER		DETAIL NUMBER		MATERIAL DESCRIPTION		
	Span Tech, LLC 1115 Cleveland Ave. / PO Box 369 Glasgow, KY 42141 270-651-9166 270-651-7533 (fax) www.spantechllc.com		FINISH		PART / ASSEMBLY NAME 1:4 HSS Plumbing Diag., Double Solenoids		
			NOTES		SIZE B	DESIGNED BY Fye	DATE 12/13/2016

1:2 HSS Wiring/Plumbing Diagram, Single Solenoid Valves

1-2 High Speed Switch Operation, Single Solenoids				
For OUTFEED BYPASS LANE				
Solenoid	Energized	Output Port	Cylinder	Cyl State
SL		2	1	extended
For OUTFEED LEFT LANE				
Solenoid	Energized	Output Port	Cylinder	Cyl State
SL	X	4	1	retracted

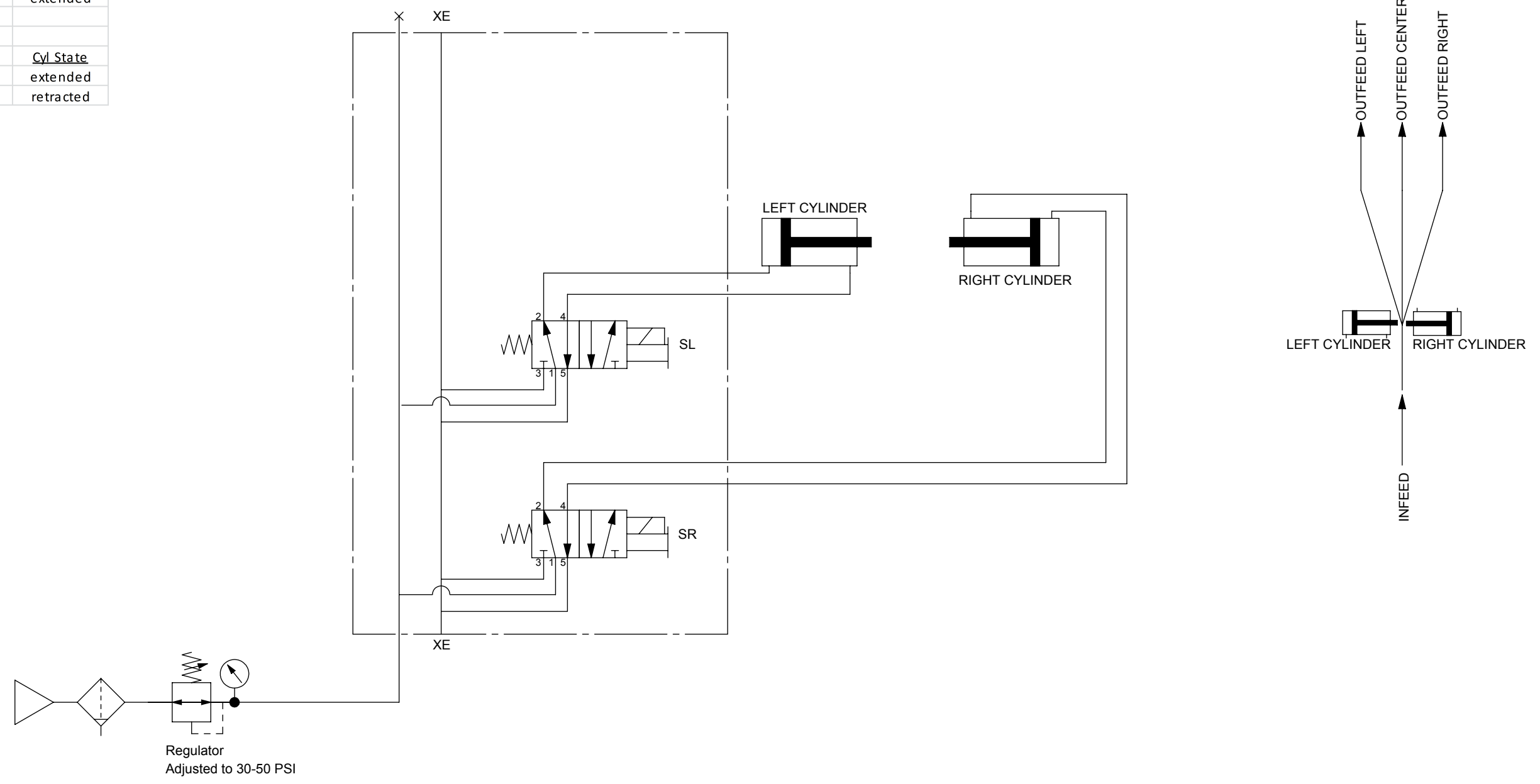


THE INFORMATION CONTAINED IN THIS DRAWING IS THE SOLE PROPERTY OF SPAN TECH, LLC. ANY REPRODUCTION IN PART OR WHOLE WITHOUT THE WRITTEN PERMISSION OF SPAN TECH, LLC IS STRICTLY PROHIBITED.


Tolerances Unless Specified	Inch	0.X = ± 0.010	JOB NAME		MATERIAL NUMBER		PART / ASSEMBLY NUMBER		REV	
		0.XX = ± 0.005	HSS				n/a			
		0.XXX = ± 0.001	JOB NUMBER		MATERIAL DESCRIPTION		PART / ASSEMBLY NAME			
	Metric	0.X = ± 0.2	1115 Cleveland Ave. / PO Box 369		FINISH		1:2 HSS Plumbing Diag., Single Solenoids			
	0.XX = ± 0.13	Glasgow, KY 42141		NOTES		SIZE	DESIGNED BY	DATE	SCALE	SHEET
	0.XXX = ± 0.03	270-651-9166 270-651-7533 (fax)				B	Fye	12/13/2016	1:1	4/6
		www.spantechllc.com								

1:3 HSS Wiring/Plumbing Diagram, Single Solenoid Valves

1-3 High Speed Switch Operation, Single Solenoids				
For OUTFEED CENTER				
Solenoid	Energized	Output Port	Cylinder	Cyl State
SL		2	left	extended
SR		2	right	extended
For OUTFEED LEFT				
Solenoid	Energized	Output Port	Cylinder	Cyl State
SL	X	4	left	retracted
SR		2	right	extended
For OUTFEED RIGHT				
Solenoid	Energized	Output Port	Cylinder	Cyl State
SL		2	left	extended
SR	X	4	right	retracted



THE INFORMATION CONTAINED IN THIS DRAWING IS THE SOLE PROPERTY OF SPAN TECH, LLC. ANY REPRODUCTION IN PART OR WHOLE WITHOUT THE WRITTEN PERMISSION OF SPAN TECH, LLC IS STRICTLY PROHIBITED.

Tolerances Unless Specified Inch 0.X = ± 0.010 0.XX = ± 0.005 0.XXX = ± 0.001 Metric 0.X = ± 0.2 0.XX = ± 0.13 0.XXX = ± 0.03	JOB NAME HSS		MATERIAL NUMBER		PART / ASSEMBLY NUMBER n/a		REV		
	JOB NUMBER		DETAIL NUMBER		MATERIAL DESCRIPTION		PART / ASSEMBLY NAME 1:3 HSS Plumbing Diag., Single Solenoids		
	 Span Tech, LLC 1115 Cleveland Ave. / PO Box 369 Glasgow, KY 42141 270-651-9166 270-651-7533 (fax) www.spantechllc.com		FINISH		SIZE B	DESIGNED BY Fye	DATE 12/13/2016	SCALE 1:1	SHEET 5/6
			NOTES						

1:4 HSS Wiring/Plumbing Diagram, Single Solenoid Valves

1-4 High Speed Switch Operation, Single Solenoids

To send carriers to the OUTFEED BYPASS LANE

Solenoid	Energized	Output Port	Cylinder	Cyl State
S1		2	1	extended
S2		2	2	extended
S3		2	3	extended

To send carriers to the OUTFEED LEFT LANE 1

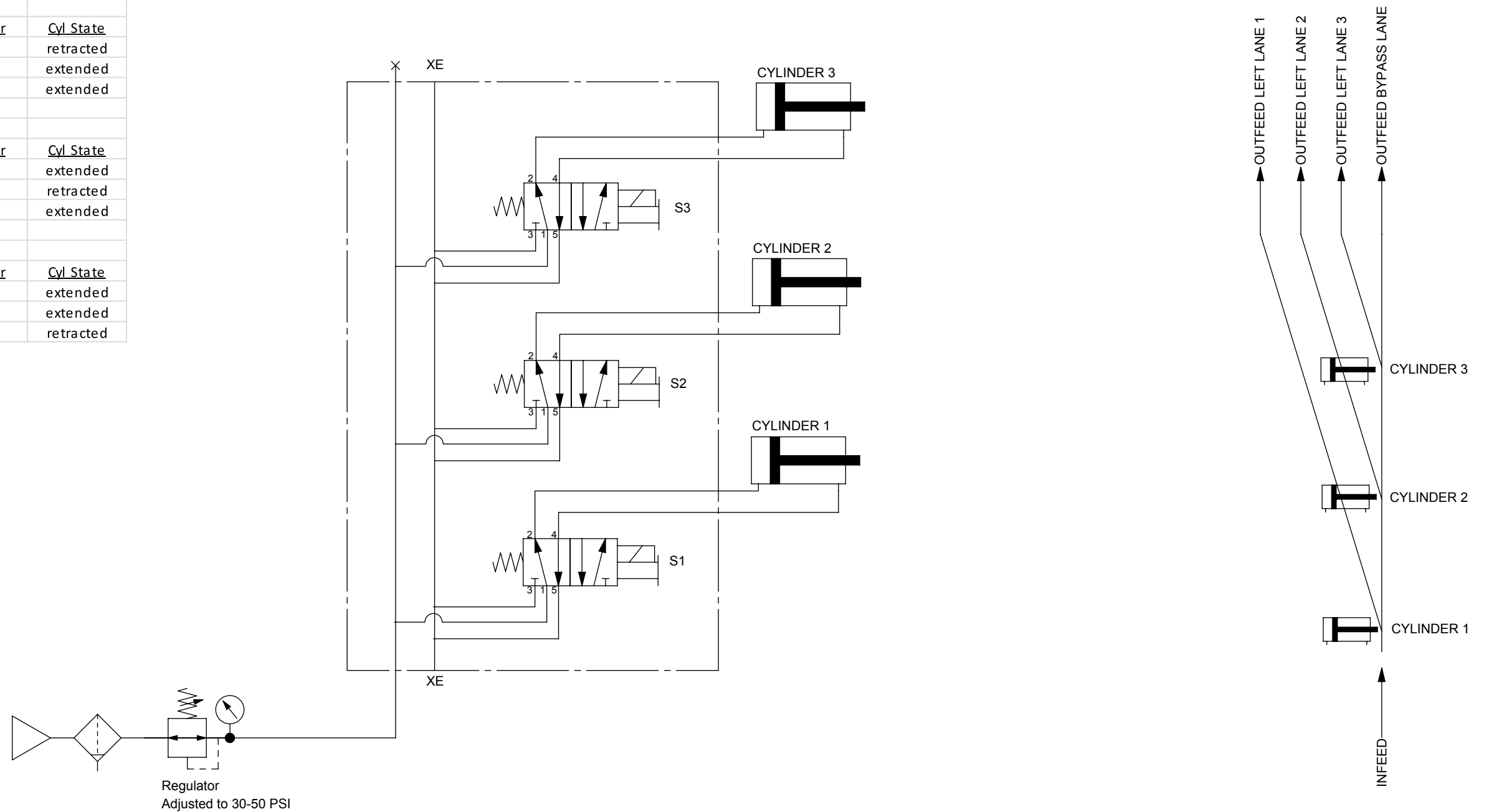
Solenoid	Energized	Output Port	Cylinder	Cyl State
S1	X	4	1	retracted
S2		2	2	extended
S3		2	3	extended

To send carriers to the OUTFEED LEFT LANE 2

Solenoid	Energized	Output Port	Cylinder	Cyl State
S1		2	1	extended
S2	X	4	2	retracted
S3		2	3	extended

To send carriers to the OUTFEED LEFT LANE 3

Solenoid	Energized	Output Port	Cylinder	Cyl State
S1		2	1	extended
S2		2	2	extended
S3	X	4	3	retracted



Tolerances Unless Specified
Inch
 0.X = ± 0.010
 0.XX = ± 0.005
 0.XXX = ± 0.001
Metric
 0.X = ± 0.2
 0.XX = ± 0.13
 0.XXX = ± 0.03

JOB NAME HSS		MATERIAL NUMBER	
JOB NUMBER		DETAIL NUMBER	
MATERIAL DESCRIPTION		FINISH	
NOTES		NOTES	

PART / ASSEMBLY NUMBER n/a		REV	
PART / ASSEMBLY NAME 1:4 HSS Plumbing Diag., Single Solenoids		SCALE 1:1	
SIZE B	DESIGNED BY Fye	DATE 12/13/2016	SHEET 6/6

